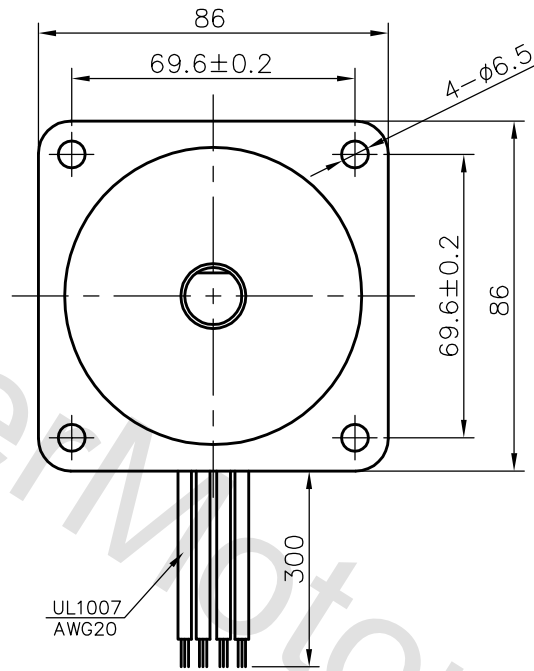
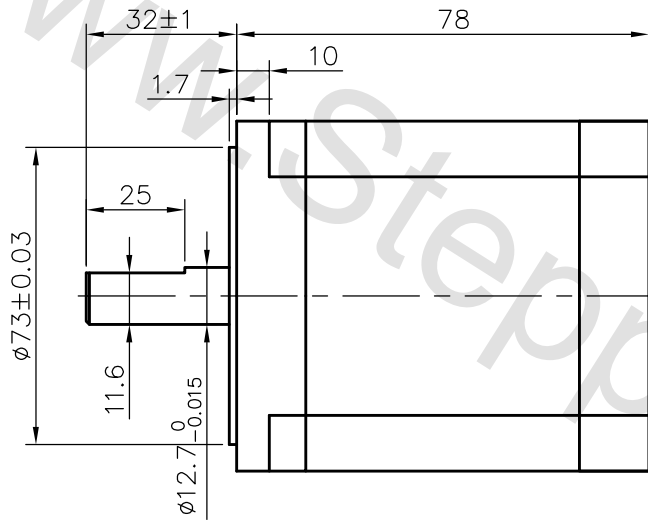
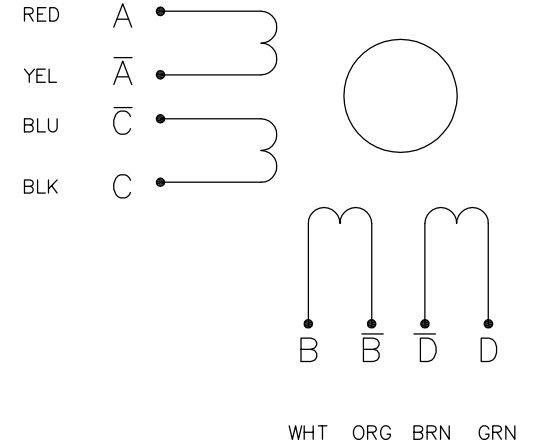


Dimension:
Unit=mm



Wiring Diagram:



Specifications:

Phase	4			
Step Angle	1.8			deg.
	PARALLEL	UNIPOLAR	SERIES	
Voltage	2.2	3.15	4.41	V
Current	5.88	4.2	2.94	A
Resistance	0.375	0.75	1.5	Ω
Inductance	3.4	3.4	13.6	mH
Holding Torque	4.6	3.2	4.6	N.m
Insulation Class	B			
Mass	2.3			kg

					www.steppermotorcanada.ca		
REV.	QTY.	No.	SIG.	DATE			
DESIGN			STD.		CLS.MAK	WEIGHT	SCALE
CHECK							
PROC.			APPR.		PAGE: OF PAGES		

JK86HS78-4208