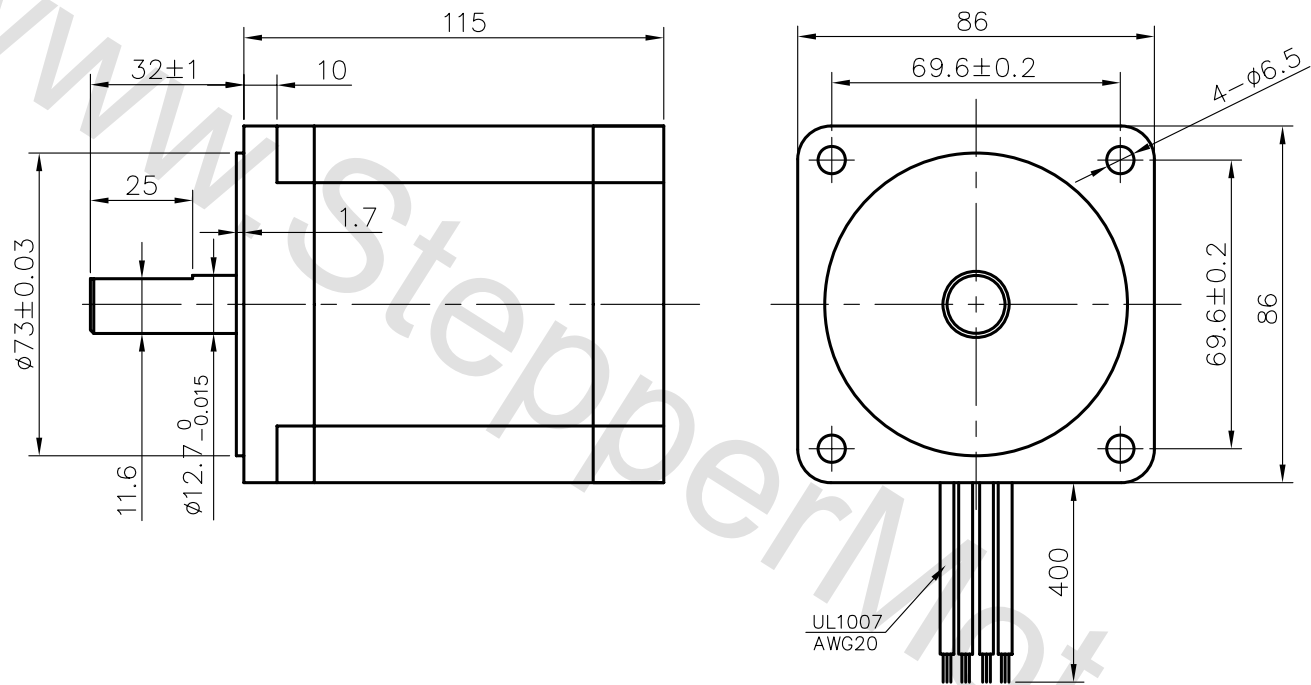
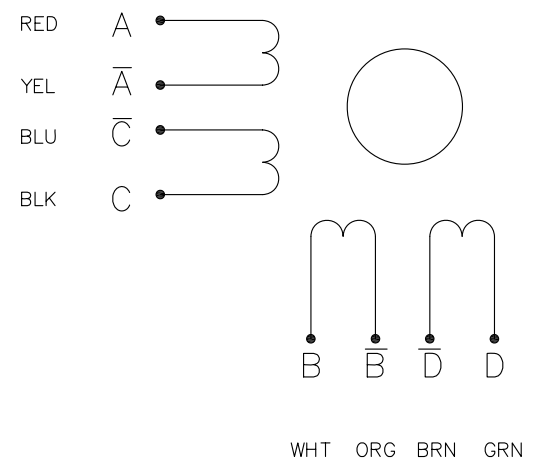


Dimension:
Unit=mm



Wiring Diagram:



Specifications:

Phase	4			
Step Angle	1.8			deg.
	PARALLEL	UNIPOLAR	SERIES	
Voltage	2.7	3.78	5.3	V
Current	5.88	4.2	2.94	A
Resistance	0.45	0.9	1.8	±10% Ω
Inductance	6	6	24	±20% mH
Holding Torque	87	61	87	kg.cm
Insulation Class	B			
Mass	3.8			kg

					Title: www.steppermotorcanada.ca		
					Specification		
REV.	QTY.	No.	SIG.	DATE	86HS115-4208-05		
DESIGN			STD.		CLS.MAK	WEIGHT	SCALE
CHECK							
PROC.			APPR.		PAGE: OF PAGES		