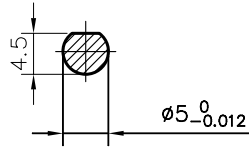
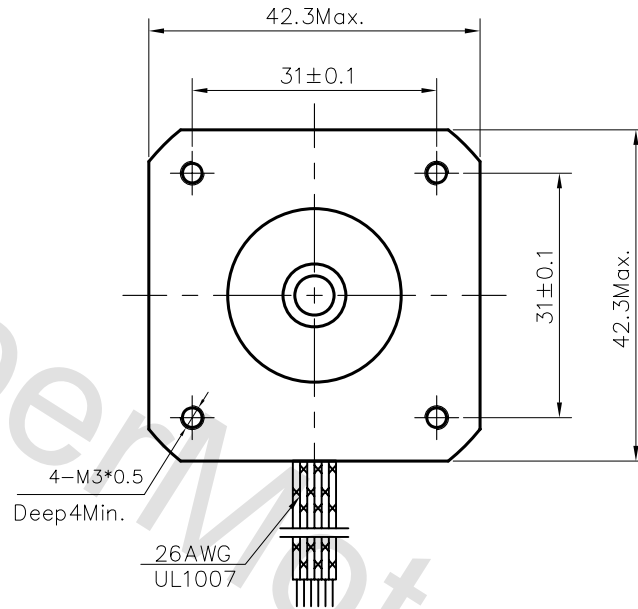
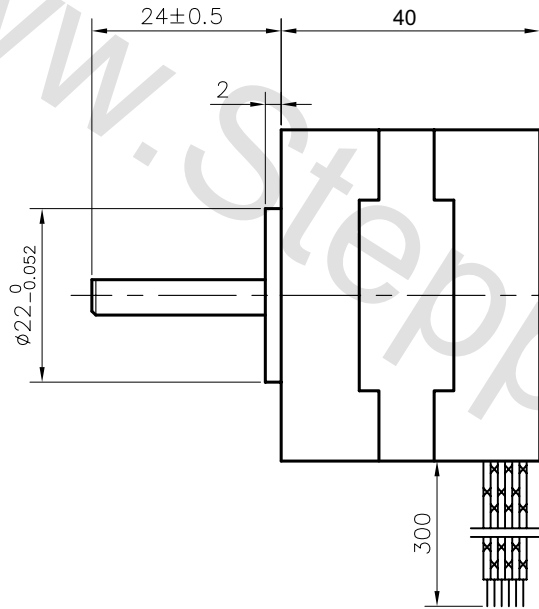
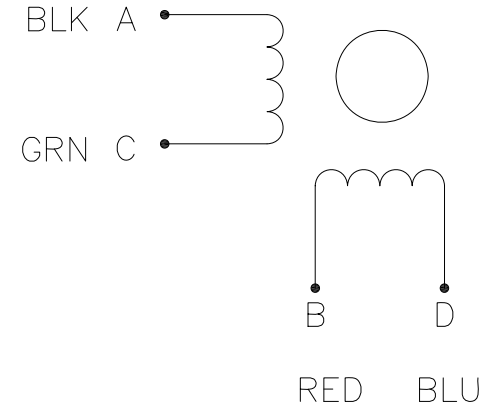


Dimension:
Unit=mm



Wiring Diagram:



Specifications:

Phase	2		Comment
Step Angle	1.8	deg.	
Voltage	2.8	V	
Current	1.68	A	
Resistance	1.65	Ω	
Inductance	2.8	mH	
Holding Torque	3.6	kg.cm	
Insulation Class	B		
Mass	0.34	kg	

REV.	QTY.	No.	SIG.	DATE	Title:			42HS40-1684
					Specification			
DESIGN			STD.		CLS.MAK	WEIGHT	SCALE	
CHECK								
PROC.			APPR.		PAGE:	OF	PAGES	www.steppermotorcanada.ca