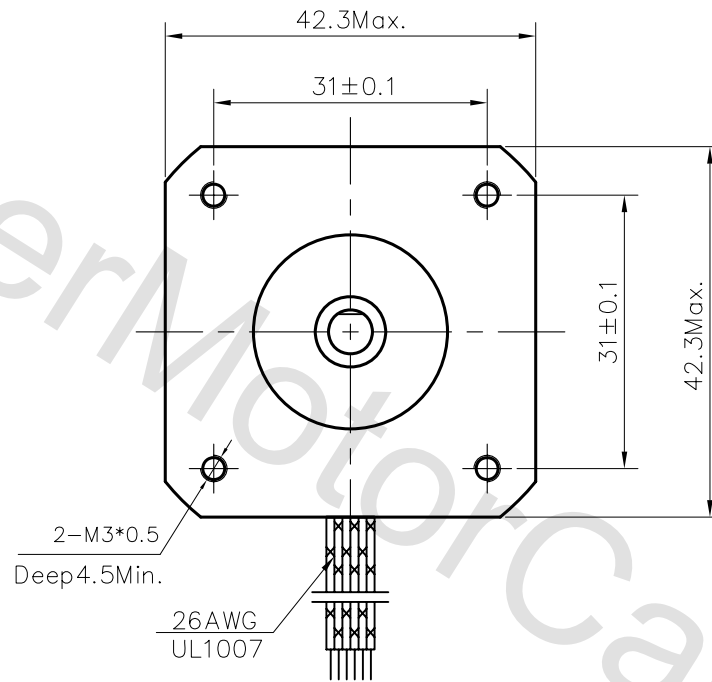
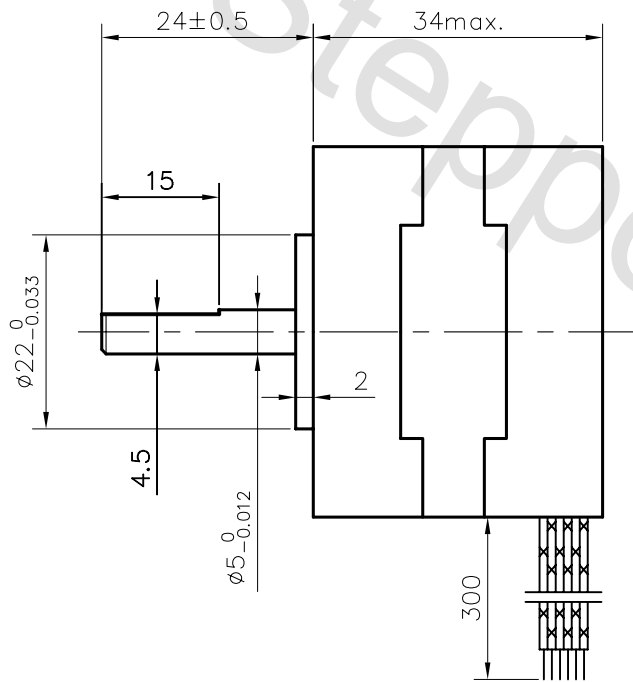
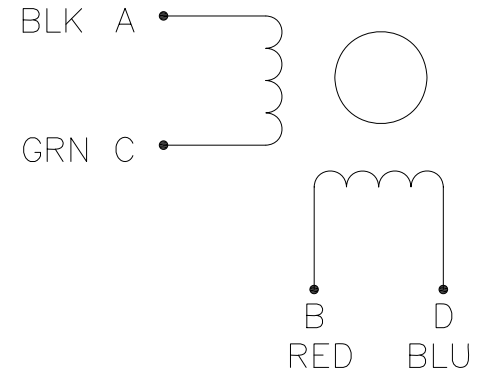


Dimension:  
Unit=mm



Wiring Diagram:



Specifications:

Phase	2		Comment
Step Angle	1.8	deg.	
Voltage	2.8	V	
Current	1.33	A	
Resistance	2.1±10%	Ω	
Inductance	2.5±20%	mH	
Holding Torque	2.6	kg.cm	
Insulation Class	B		
Mass	0.22	kg	

					Title: www.steppermotorcanada.ca			
REV.	QTY.	No.	SIG.	DATE	CLS.MAK	WEIGHT	SCALE	JK42HS34-1334
DESIGN		17.04.08	STD.					
CHECK								
PROC.			APPR.		PAGE:	OF	PAGES	